



"LOW PROFILE" FANS *in* SERIES





"LOW PROFILE" FANS *in* SERIES

• Axial fans to extract air directly outside or through ducting.

Suitable for wall, ceiling and window (through window kit accessory) installations.

• "Slim grille" with original and innovative design.

• Quick and functional installation through "click assembly" of the fan.

• All models are supplied with "operating warning light".

• Two fixing screws to allow easy installation on the wall.

• Reduced internal wall dimensions to allow installation where the bend of ducting is close to the outlet of the product.

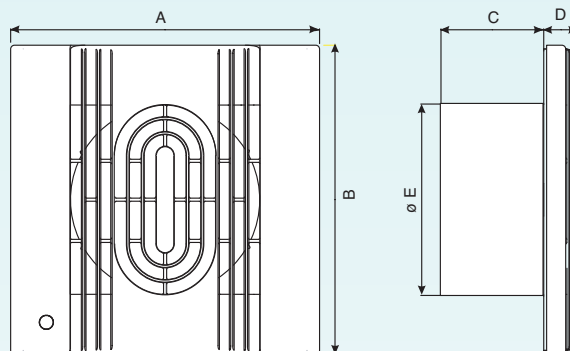
• The range is composed of 22 models in 100-120-150 mm, standard, Timer, PIR, HT, 12Volt version and motor with ball bearing in some models.

• Very high performances in terms of flow rate, low dB (A) and low power consumption due to a precise study of optimisation of motor-impeller combination.

Performance tests in accordance with Standard UNI 10531

Noise tests in accordance with Standard UNI EN ISO 3741

Dimensions



CE

IPX4



Model	A	B	C	D	E
SERIE IN 10/4	160	160	53	18	Ø100
SERIE IN 12/5	180	180	53	19	Ø120
SERIE IN 15/6	210	210	66	20	Ø150

• Performance and noise tests on product samples (IN 10/4, IN 12/5, IN 15/6 models) carried out by IMQ laboratory.

• Careful selection of components: ABS + filled polypropylene.

• Protection grade: IPX4 in accordance with Standard EN 60529.

• Double insulated product, electric ground is not necessary.

• Voltage: 220-240V, 50Hz.

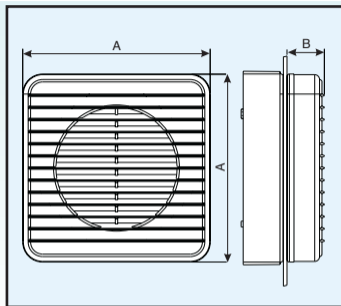
• In accordance with Standard EN 60335-2-80

• International Approval Keymark, issued by IMQ.

• Working temperature 45°C.

Technical Data

Model	Rif.	Hole diameter mm	Flow rate m ³ /h	W	Nominal voltage and frequency	Max.Press. mm H ₂ O	dB (A) 3m	Weight Kg
IN 10/4	OW 501 9	100	105	13	220-240 V 50Hz	2,8	35,6	0,5
IN 10/4 T	OW 507 6	100	105	13	220-240 V 50Hz	2,8	35,6	0,5
IN BB 10/4	OW 525 8	100	105	13	220-240 V 50Hz	2,8	35,6	0,5
IN BB 10/4 T	OW 528 2	100	105	13	220-240 V 50Hz	2,8	35,6	0,5
IN 10/4 HT	OW 543 1	100	105	13	220-240 V 50Hz	2,8	35,6	0,5
IN 10/4 PIR	OW 546 4	100	105	13	220-240 V 50Hz	2,8	35,6	0,5
IN 12/5	OW 502 7	120	180	18	220-240 V 50Hz	4,6	38,8	0,6
IN 12/5 T	OW 508 4	120	180	18	220-240 V 50Hz	4,6	38,8	0,6
IN BB 12/5	OW 526 6	120	180	18	220-240 V 50Hz	4,6	38,8	0,6
IN BB 12/5 T	OW 529 0	120	180	18	220-240 V 50Hz	4,6	38,8	0,6
IN 12/5 HT	OW 544 9	120	180	18	220-240 V 50Hz	4,6	38,8	0,6
IN 12/5 PIR	OW 547 2	120	180	18	220-240 V 50Hz	4,6	38,8	0,6
IN 15/6	OW 503 5	150	330	30	220-240 V 50Hz	6,2	42,2	0,8
IN 15/6 T	OW 509 2	150	330	30	220-240 V 50Hz	6,2	42,2	0,8
IN BB 15/6	OW 527 4	150	330	30	220-240 V 50Hz	6,2	42,2	0,8
IN BB 15/6 T	OW 530 8	150	330	30	220-240 V 50Hz	6,2	42,2	0,8
IN 15/6 HT	OW 545 6	150	330	30	220-240 V 50Hz	6,2	42,2	0,8
IN 15/6 PIR	OW 548 0	150	330	30	220-240 V 50Hz	6,2	42,2	0,8



Window kit

Kit accessory for window and panel application.

Window Kit is suitable for installation in a single, double glazing window glass or wood panel, from 3 to a thickness of 20 mm.

Model	Ref.	A	B	hole diameter
Kit Finestra 10/4	OW 591 0	155	31	132,5÷145
Kit Finestra 12/5	OW 592 8	175	31	152,5÷165
Kit Finestra 15/6	OW 593 6	211	31	186÷195

• Gravity Shutter • Grille • Electronic Controller: See page 109.