



CENTRIFUGAL ANGLE FANS AC





CENTRIFUGAL ANGLE FANS AC

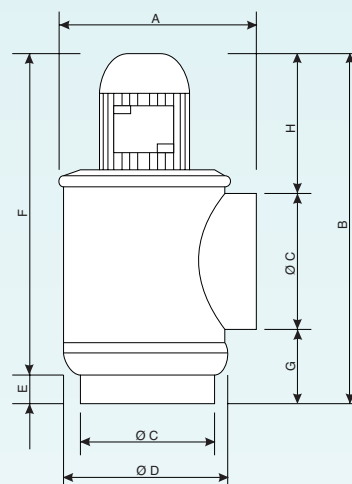
- Centrifugal duct fans at angle to extract air or non dusty fumes.
- Also suitable for application on machines where a forced ventilation or air suction is required.
- Steel plated body protected by an epoxy-based anticorrosive paint.
- Zinc plated steel blade statically and dynamically balanced.
- Long life product due to motors on ball bearings.
- In accordance with the essential requirements of 89/392/CE directive concerning machines, and with European rules EN 292 part and II, UNI EN 294 and IEC 204-1 and 2.
- Industrial Regulators available (see page 88).

- External motor allows to extract or intake air with high temperature. Maximum temperature of exhausted air 70°C.

Accessories:

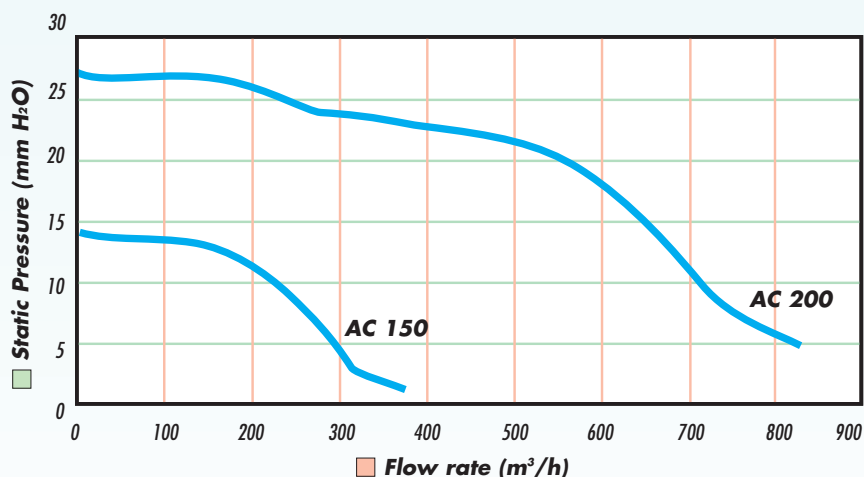
- See page 69.

Dimensions



CE

Model	A	B	Ø C	Ø D	E	F	G	H	Kg
AC 150 2M	230	340	148	185	25	315	65	150	3,5
AC 150 2T	230	340	148	185	25	315	65	150	3,5
AC 200 2M	330	520	197	265	55	465	113	210	8
AC 200 2T	330	520	197	265	55	465	113	210	6,5



Technical Data

Model	Ref.	Motor protection	Motor	Flow rate m ³ /h	Max.Press. mm H ₂ O	N° Poles	W	Hz	Nom. curr. in A.		dB (A) 2 m	RPM
									at 230V	at 400V		
AC 150 2M	OW 446 7	IP44	single-phase	360	14	2	140	50	0,55	-	62	2700
AC 150 2T	OW 447 5	IP44	three-phase	360	14	2	140	50	0,54	0,31	62	2700
AC 200 2M	OW 448 3	IP54	single-phase	620	27	2	350	50	1,5	-	70	2700
AC 200 2T	OW 449 1	IP54	three-phase	830	27	2	350	50	1,68	0,95	70	2700