



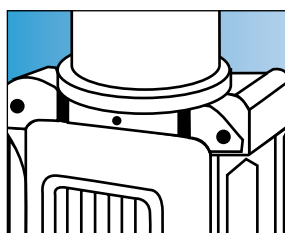
CENTRIFUGAL IN LINE FANS
ASPIRODOR 165



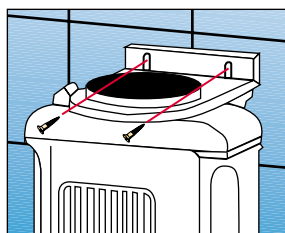


CENTRIFUGAL IN LINE FANS ASPIRODOR 165

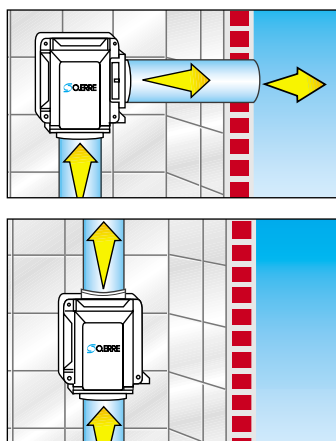
- Centrifugal fans to extract air and fumes through ducts or pipes.
- Can be easily installed in-line (replacing a part of the pipe) or in angle (replacing a curve of the pipe) simply changing the position of the frame.
- Supplied with wall installation flange.
- In accordance with EN 60335-2-80.
- In ABS material.



Dual purpose spigots suitable for 100 mm or 120 mm ducts.

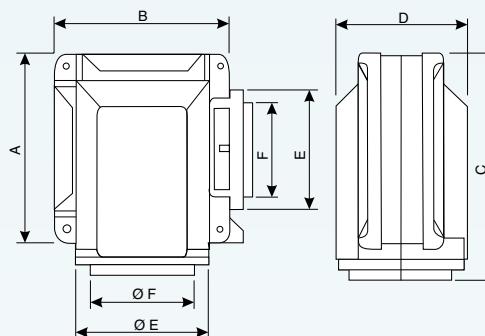


Fixing bracket with elongated fixing holes to allow positional adjustment.

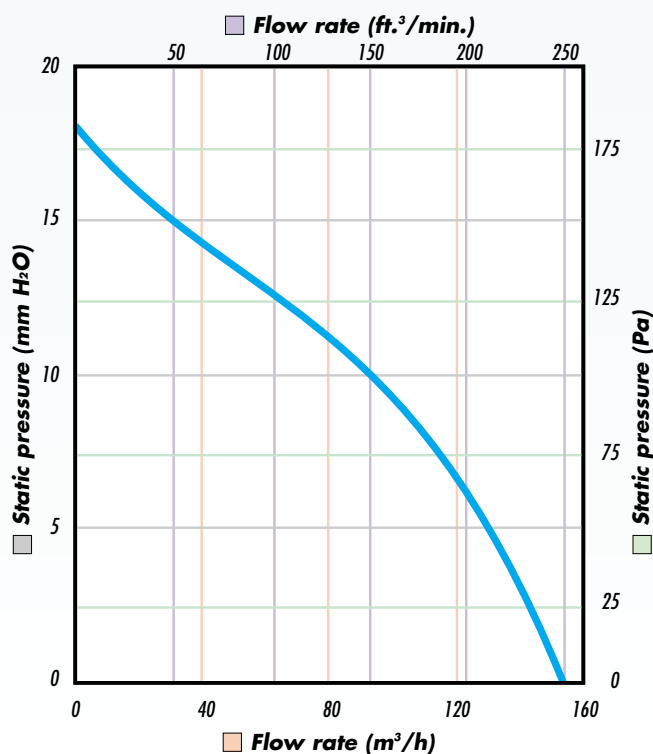


Can be used in-line or in angle, by a simple adjustment of the frame.

Dimensions



Model	A	B	C	D	E	F
Aspirodor 165 in line	205	205	263	148	∅ 126	∅ 102
Aspirodor 165 in angle	205	205	242	148	∅ 126	∅ 102



Technical Data

Model	Ref.	Hole diameter mm	Flow rate m ³ /h	W	Nominal voltage and frequency	Max pressure mm H ₂ O	dB (A) 3 m	Weight kg
ASPIRODOR 165	OW 165 3	100÷120	150	80	220-240V 50Hz	18	51	1,9