



# SILENT CENTRIFUGAL FANS CS





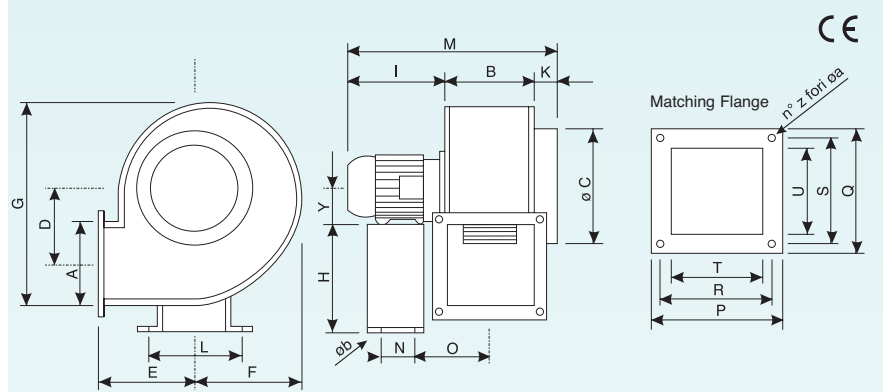
# SILENT CENTRIFUGAL FANS CS

- Centrifugal silenced duct fans to extract large air volumes and non dusty fumes.
  - Also suitable for application on machines where a forced ventilation or air suction is required.
  - Steel plated body protected by an epoxy-based anticorrosive paint.
  - Zinc plated steel blade statically and dynamically balanced for improved performance.
  - Particularly quiet in relation to the remarkable performances.
  - 4 poles induction motor with ball bearings and IP55 motor protection.
  - Impeller housing can be installed in any different position with possibility of opposite rotation (on request, see table page 59).
- The standard product is supplied with impeller housing position CCW 270.
- Fans with specialised motors are available on request i.e. Flameproof, Tropicalised, High temperature, etc.
  - In accordance with the essential requirements of 89/392/CE directive concerning machines, and with European Standards EN 292 part I and II, UNI EN 294 and IEC 204-1 and 2.
  - Industrial regulators available (see page 88).

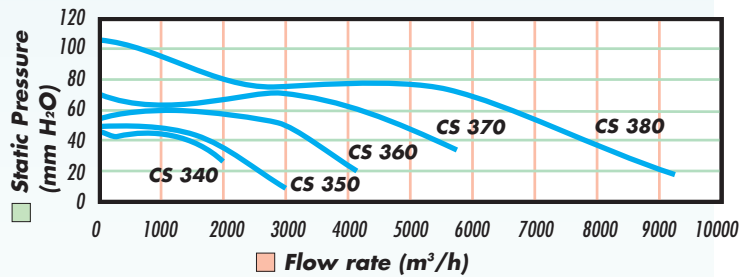
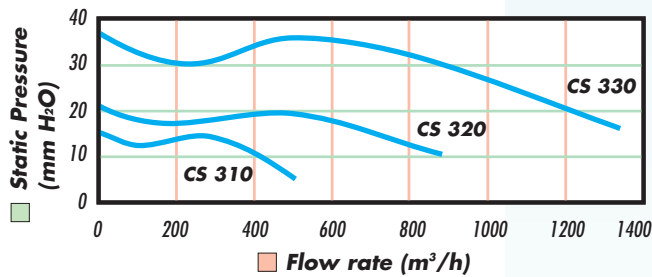
**For models CS 350, 360, 370 and 380:**

- Mounted on rigid base support to make installation easier.

## Dimensions



Model	A	B	øC	D	E	F	G	H	Y	K	I	L	M	N	O	P	Q	R	S	T	U	z	øa	øb	Kg
CS310 4M	96	94	180	91	127	122	247	-	63	42	183	-	319	-	-	135	135	114	114	88	88	4	8,2	-	8
CS310 4T	96	94	180	91	127	122	247	-	63	42	183	-	319	-	-	135	135	114	114	88	88	4	8,2	-	7
CS320 4M	112	112	200	117	146	150	300	-	63	45	183	-	340	-	-	152	152	126	126	100	100	4	8,2	-	7,5
CS320 4T	112	112	200	117	146	150	300	-	63	45	183	-	340	-	-	152	152	126	126	100	100	4	8,2	-	7
CS330 4T	141	141	250	139	147	188	371	-	71	40	204	-	385	-	-	191	191	165	165	134	134	4	8,2	-	13
CS340 4T	181	164	250	162	178	222	446	-	80	45	224	-	433	-	-	225	235	195	205	161	170	4	8,2	-	18
CS350 4T	202	194	315	192	210	260	517	244	80	50	224	232	468	120	146	255	255	225	225	191	191	4	8,2	11	22
CS360 4T	202	194	315	192	210	260	517	244	90	50	252	232	496	120	152	255	255	225	225	191	191	4	8,2	11	25
CS370 4T	253	221	355	210	230	250	571	278	100	49	305	266	575	150	176	284	305	254	275	213	244	4	10,2	11	38
CS380 4T	299	249	400	280	300	370	744	350	112	60	324	325	633	170	185	310	360	280	330	241	295	8	9	11	75



## Technical Data

Model	Ref.	Motor protection	Motor	Flow rate mov. m³/h	Max. Press. mm H <sub>2</sub> O	N° Poles	W	Hz	Nom.current in Amp. at 230V	at 400V	dB(A) 2 m	RPM	Motor Support
CS 310 4M	OW 420 2	IP55	single-phase	500	16	4	200	50	1,0	-	64	1400	NO
CS 310 4T	OW 421 0	IP55	three-phase	500	16	4	160	50	1,0	0,59	64	1400	NO
CS 320 4M	OW 422 8	IP55	single-phase	720	21	4	250	50	1,7	-	67	1400	NO
CS 320 4T	OW 423 6	IP55	three-phase	720	21	4	250	50	1,7	1,0	67	1400	NO
CS 330 4T	OW 424 4	IP55	three-phase	1500	38	4	500	50	1,9	1,1	70	1400	NO
CS 340 4T	OW 425 1	IP55	three-phase	1900	47	4	1250	50	3,8	2,2	73	1400	NO
CS 350 4T	OW 426 9	IP55	three-phase	2900	50	4	1900	50	5,3	3,1	76	1400	YES
CS 360 4T	OW 427 7	IP55	three-phase	4100	60	4	2600	50	7,6	4,4	80	1400	YES
CS 370 4T	OW 428 5	IP55	three-phase	5600	73	4	3200	50	10,0	5,8	84	1400	YES
CS 380 4T	OW 429 3	IP55	three-phase	9100	105	4	4800	50	18,40	10,60	88	1430	YES