

# **S**O.ERRE

**tecnologia dell'aria**

## **Diverso Series**



**CENTRIFUGAL FANS IPX5**



# CENTRIFUGAL FANS IPX5

## **Diverso Series**

### **Diverso: "The birth"**

*The product conception was to satisfy the requirements of our clients.*

*These requests led to the development of a range of fair and noiseless products that can be installed "safely" in humid environments to avoid dust deposits on the wall.*

*To merge the client's needs and the technical requirements was not easy.*

*It meant approaching the problem in different way creating a new series of products, different from those currently on the market, which could grant concrete and real advantages to the client.*

*The result is a product really "Different" that fully and "safely" meets the growing requirements for a better indoor environment.*

### **Diverso: "The benefits"**

#### **Benefits to the customer**

#### **Guaranteed by:**

High safety



IPX5 protected to be installed in very humid environments and in presence of substantial sprinklings of water, such as bathrooms, kitchens...

No dust on wall



Airflow oriented for not scraping on wall and to avoid dust deposits

Attractive



Polished and compact design (external grille low profile for built-in)

Adaptability



Outlet air oriented (back, upper) for applications to ducts on wall and/or ceiling

High efficiency



High efficiency performances for better ventilation

Cost advantages



Low energy consumption

Quick maintenance



Practical balancing grille

### **Diverso: "The models"**

*Built-in and surface-mounted fan*

*Models from 80 up to 270 mc/h, base, timer and HT versions*

*for installation to ducts from 75,5 mm (Diverso 80)*



CENTRIFUGAL FANS IPX5

# Diverso Series

## NO DUST ON THE WALL

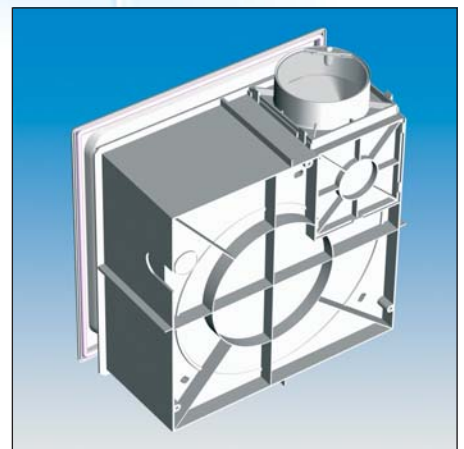
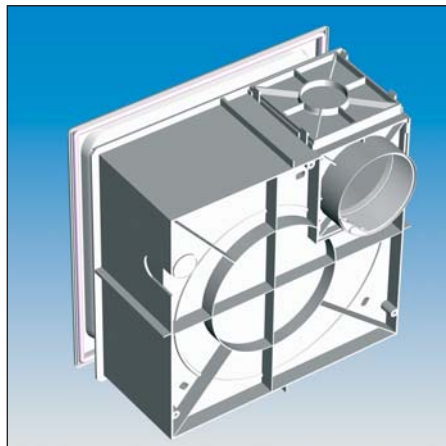
*Diverso has been produced to avoid dust deposits on the wall*

## IPX5 PROTECTED

*Diverso has been produced to be installed in humid environments thanks to IPX5 protection*

## Diverso IN

*Diverso has been produced to easily remove the filter thanks to the balancing grille*



*Outlet hole adjustable in 2 different positions (built in version)*



## CENTRIFUGAL FANS IPX5

# Diverso Series

### NO DUST ON THE WALL

*Diverso, characterized by soft and fair design, has been produced to integrate nicely in the surrounding environment by avoiding leaving dust deposits on the wall that normally happens using a common fan with side air inlet.*

*Diverso has been produced to work in a different way.*

*The common exhaust fans allow the air exchange through frontal or side air inlet.*

*Diverso operates in a different way combining both functions to get higher benefits and reduce any disadvantage.*

*Diverso operates by frontal air inlet through an outside leak duly shaped to create a whirlpool to prevent the air from creeping against the surrounding wall.*

*This is to avoid dust deposits appearing on the wall resulting in the need to redecorate.*



### IPX5 PROTECTED

#### *against humidity and sprinklings of water*

*Diverso has been produced to grant a high protection grade (IPX5) becoming the right choice for application in humid environments and in presence of sprinklings of water.*

*This situation, typical in environments such as bathrooms and kitchens, requires a highly protected product that can grant the maximum safety to the end user .*

*The market is actually offering a large choice of products with different protection grades reaching in most cases the maximum grade of protection IPX4.*



# CENTRIFUGAL FANS IPX5

## **Diverso Series**



### **Timer and HT operations**

#### **Timer**

*When switched on, the fan will start rotating after 5 sec. and will overrun after being switched off according to the pre-set timer period.*

*Adjustable overrun timer from 2 min. up to 30 min. Standard setting 15 min.*

#### **HT**

*The fans start automatically when the humidity level in the rooms is higher than the pre-determined humidity level on the potentiometer which allow to adjust from 40% to 90%.*

*With manual operation the fan operates as timer version.*

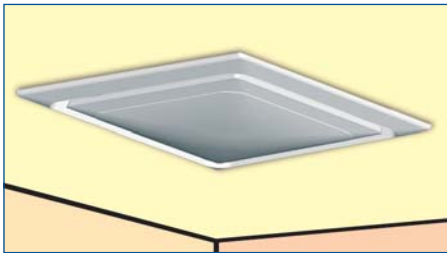
- *Centrifugal fans to extract air and fumes through ducting or pipes from 75,5 mm diameter.*
- *Built-in and surface-mounted fan.*
- *Suitable for wall and/or ceiling installation even through ducts in awkward places thanks to the position of the outlet hole in the corner.*
- *Outlet hole adjustable in 2 different positions (built in version)*
- *Integral back draught shutter to avoid that stale air enters the room when the fan is switched off.*
- *Easy and quick maintenance thanks to the balancing grille.*
- *IPX5 protected.*
- *Body made in white ABS (surface mounted version).*
- *In compliance with EN 60335-2-80.*
- *Speed controlled by RGE (optional) for the base model only.*



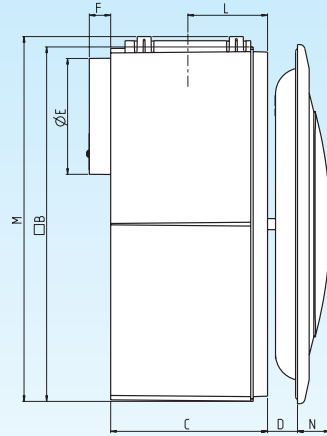
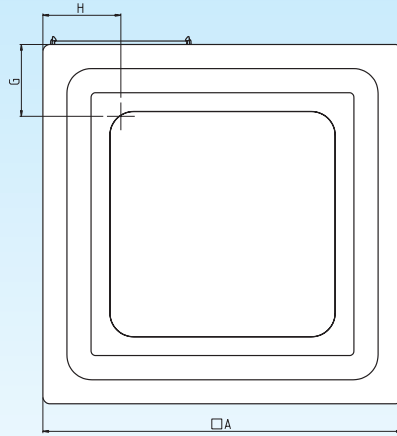
# CENTRIFUGAL FANS IPX5

## Diverso IN

Differently from most part of products, Diverso is characterized by a built-in version, with grille lined up to the wall (29 mm protrusion) thanks to the particular air extraction.

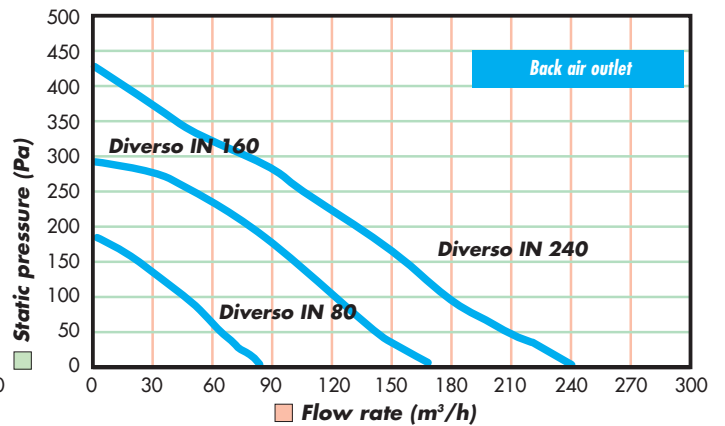
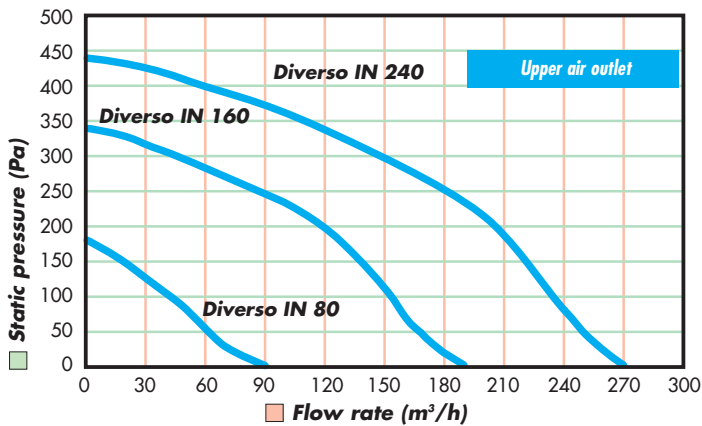


### Dimensions



CE  
IPX5

Modello	□ A	□ B	C	D <sub>max</sub>	∅ E	F	G	H	L	M	N
<b>DIVERSO IN 80</b>	244	238	103,5	17,5	75	18,5	55	55	50	242	29
<b>DIVERSO IN 160</b>	300	296	131	25	96,7	18	60	65	66,5	304,5	27
<b>DIVERSO IN 240</b>	300	296	131	25	96,7	18	60	65	66,5	304,5	27



### Technical Data

Model	Ref.	Upper air outlet			Back air outlet			∅ hole mm	Nominal voltage and frequency	W	Weight Kg
		Flow rate m³/h	Max Press. (Pa)	dB(A) 3 m	Flow rate m³/h	Max Press. (Pa)	dB(A) 3 m				
<b>DIVERSO IN 80</b>	OW 826 0	90	166,8	38	80	176,6	40	75,5	220-240V 50Hz	28	1,5
<b>DIVERSO IN 160</b>	OW 829 4	190	343,4	40	170	294,3	42	97	220-240V 50Hz	50	2,7
<b>DIVERSO IN 240</b>	OW 832 8	270	441,5	43	240	421,8	47	97	220-240V 50Hz	80	2,9
<b>DIVERSO IN 80 T</b>	OW 827 8	90	166,8	38	80	176,6	40	75,5	220-240V 50Hz	28	1,5
<b>DIVERSO IN 160 T</b>	OW 830 2	190	343,4	40	170	294,3	42	97	220-240V 50Hz	50	2,7
<b>DIVERSO IN 240 T</b>	OW 833 6	270	441,5	43	240	421,8	47	97	220-240V 50Hz	80	2,9
<b>DIVERSO IN 80 HT</b>	OW 828 6	90	166,8	38	80	176,6	40	75,5	220-240V 50Hz	28	1,5
<b>DIVERSO IN 160 HT</b>	OW 831 0	190	343,4	40	170	294,3	42	97	220-240V 50Hz	50	2,7
<b>DIVERSO IN 240 HT</b>	OW 834 4	270	441,5	43	240	421,8	47	97	220-240V 50Hz	80	2,9

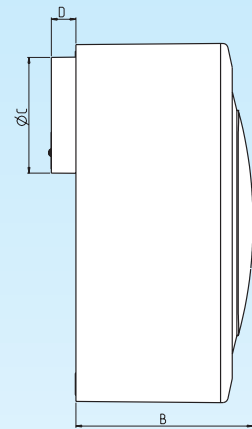
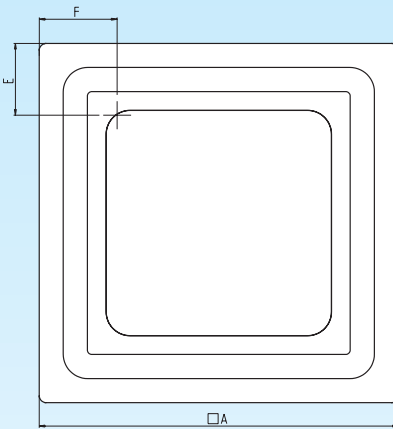


# CENTRIFUGAL FANS IPX5

## Diverso

### Dimensions

Surface - mounted fan wall fitted.

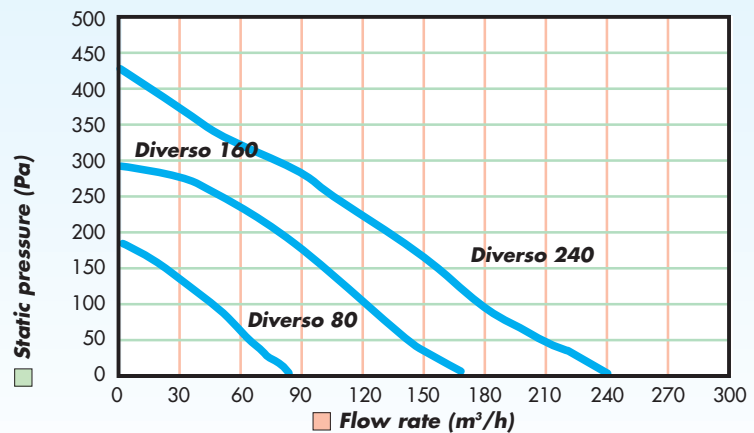
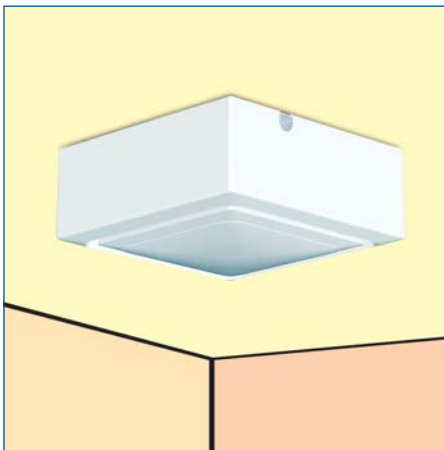


CE  
IPX5



Model	□ A	B	Ø C	D	E	F
<b>DIVERSO 80</b>	244	117	75,5	20	55	55
<b>DIVERSO 160</b>	300	148	96,7	20,5	60	65
<b>DIVERSO 240</b>	300	148	96,7	20,5	60	65

Surface - mounted fan ceiling fitted.



### Technical Data

Model	Ref.	Ø hole mm	Flow rate max m³/h	W	Nominal voltage and frequency	Max Press. (Pa)	Max Press. (mm H <sub>2</sub> O)	dB(A) 3 m	Weight Kg
<b>DIVERSO 80</b>	OW 817 9	75,5	80	28	220-240V 50Hz	176,6	18	40	1,5
<b>DIVERSO 160</b>	OW 820 3	97	170	50	220-240V 50Hz	294,3	30	42	2,7
<b>DIVERSO 240</b>	OW 823 7	97	240	80	220-240V 50Hz	421,8	43	47	2,9
<b>DIVERSO 80 T</b>	OW 818 7	75,5	80	28	220-240V 50Hz	176,6	18	40	1,5
<b>DIVERSO 160 T</b>	OW 821 1	97	170	50	220-240V 50Hz	294,3	30	42	2,7
<b>DIVERSO 240 T</b>	OW 824 5	97	240	80	220-240V 50Hz	421,8	43	47	2,9
<b>DIVERSO 80 HT</b>	OW 819 5	75,5	80	28	220-240V 50Hz	176,6	18	40	1,5
<b>DIVERSO 160 HT</b>	OW 822 9	97	170	50	220-240V 50Hz	294,3	30	42	2,7
<b>DIVERSO 240 HT</b>	OW 825 2	97	240	80	220-240V 50Hz	421,8	43	47	2,9



tecnologia dell'aria

## NEW FACTORY



O.ERRE S.p.A.  
Via Cagliari, 1  
20060 Trezzano Rosa (MI)  
Italia

**Tel. Export dept.** +39 0290931835  
**Telefax** +39 0292010261  
**Internet** <http://www.oerre.com>  
**e-mail** [oerre@oerre.it](mailto:oerre@oerre.it)

