

Diverso

IPX5 Centrifugal fans

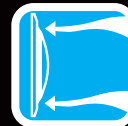
SO.ERRE
tecnologia dell'aria



**IPX5
Protection**



**No dust
on the wall**



Easy-change



**Surface-mounted
or built-in version**



Oriented outlet air



Diverso IN



Diverso



Choose from either surface-mount or built-in version

Diverso

DiversoIN



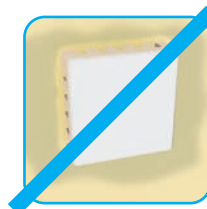
IPX5 Protection

The Diverso range has been designed for installation within humid environments, and in presence of substantial water spray, such as bathrooms, kitchens etc...



No dust on the wall

Airflow oriented for front intake so as to avoid dust deposits on surrounding wall.



Easy change

Diverso has been produced to easily remove the filter thanks to the balancing grille.



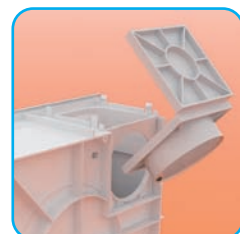
Surface-mounted or built-in version

Diverso has been produced in two different versions: BUILT-IN version (DIVERSO IN) with slimline wall grille (29 mm protrusion) or SURFACE-mounted version (DIVERSO) wall fitted.



Oriented outlet air

Built-in version with extract spigot adjustable in two different positions (rear and upper).



Diverso aims to be noticed
but is able to hide very well.



The elegant design and the innovative technical solutions of the Diverso series change the ventilation's world and makes it adaptable to any kind of internal environment.



Humidity, bad smells, smoke, or an healthy air replacement:
What ever your requirement, choose Diverso.

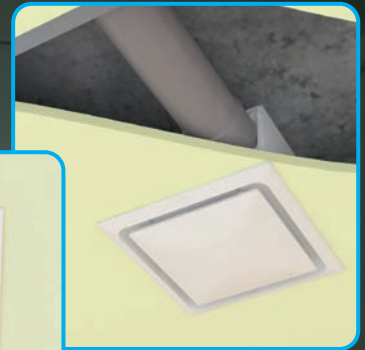


Diverso always fits
Your installation needs

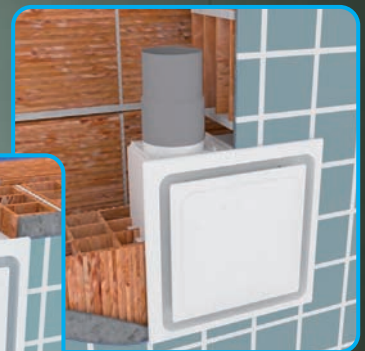
Diverso

DiversoIN

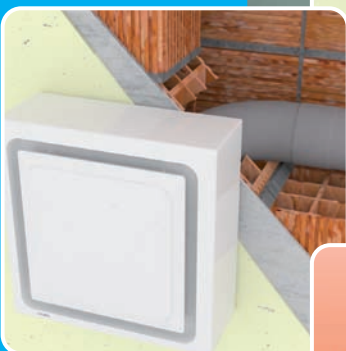
For wall, ceiling
or suspended surface



Air extracts directly
to exterior or via duct from
different spigot positions...



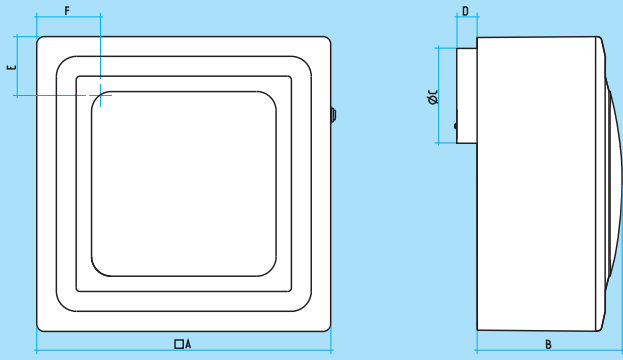
... thanks to the
rotating body



DIVERSO model thanks to
it's rotating feature
is a perfect solution for
difficult installation situations

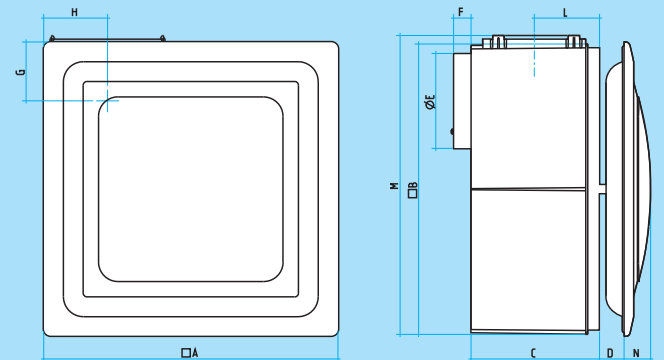
DIVERSO IN model thanks to
the easy positioning of the extract
spigot, makes possible both front
or side air extraction

DIVERSO DIMENSIONS

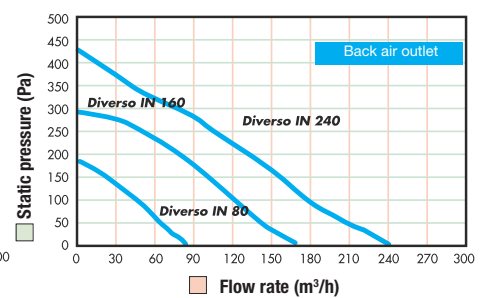
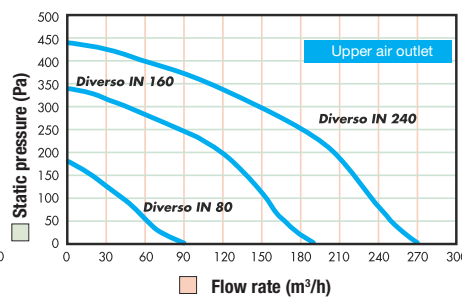
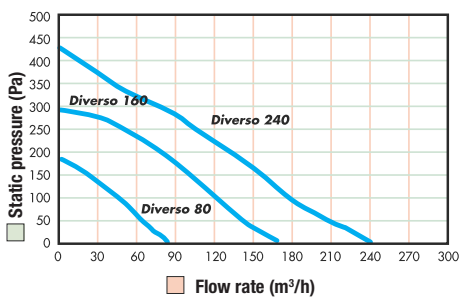


Model	□ A	B	∅ C	D	E	F
DIVERSO 80	244	117	75,5	20	55	55
DIVERSO 160	300	148	96,7	20,5	60	65
DIVERSO 240	300	148	96,7	20,5	60	65

DIVERSO IN DIMENSIONS



Model	□ A	□ B	C	D _{max}	∅ E	F	G	H	L	M	N
DIVERSO IN 80	244	238	103,5	17,5	75	18,5	55	55	50	242	29
DIVERSO IN 160	300	296	131	25	96,7	18	60	65	66,5	304,5	27
DIVERSO IN 240	300	296	131	25	96,7	18	60	65	66,5	304,5	27



DIVERSO TECHNICAL DATA

Model	Ref.	∅ hole mm	Flow rate max m³/h	W	Nominal voltage and frequency	Max Press. (Pa)	Max Press. (mm H ₂ O)	dB(A) 3 m	Weight Kg
DIVERSO 80	OW 817 9	75,5	80	28	220-240V 50Hz	176,6	18	40	1,5
DIVERSO 160	OW 820 3	97	170	50	220-240V 50Hz	294,3	30	42	2,7
DIVERSO 240	OW 823 7	97	240	80	220-240V 50Hz	421,8	43	47	2,9
DIVERSO 80 T	OW 818 7	75,5	80	28	220-240V 50Hz	176,6	18	40	1,5
DIVERSO 160 T	OW 821 1	97	170	50	220-240V 50Hz	294,3	30	42	2,7
DIVERSO 240 T	OW 824 5	97	240	80	220-240V 50Hz	421,8	43	47	2,9
DIVERSO 80 HT	OW 819 5	75,5	80	28	220-240V 50Hz	176,6	18	40	1,5
DIVERSO 160 HT	OW 822 9	97	170	50	220-240V 50Hz	294,3	30	42	2,7
DIVERSO 240 HT	OW 825 2	97	240	80	220-240V 50Hz	421,8	43	47	2,9

DIVERSO IN TECHNICAL DATA

Model	Ref.	Upper air outlet			Back air outlet			∅ hole mm	Nominal voltage and frequency	W	Weight Kg
		Flow rate m³/h	Max Press. (Pa)	dB(A) 3 m	Flow rate m³/h	Max Press. (Pa)	dB(A) 3 m				
DIVERSO IN 80	OW 826 0	90	166,8	38	80	176,6	40	75,5	220-240V 50Hz	28	1,5
DIVERSO IN 160	OW 829 4	190	343,4	40	170	294,3	42	97	220-240V 50Hz	50	2,7
DIVERSO IN 240	OW 832 8	270	441,5	43	240	421,8	47	97	220-240V 50Hz	80	2,9
DIVERSO IN 80 T	OW 827 8	90	166,8	38	80	176,6	40	75,5	220-240V 50Hz	28	1,5
DIVERSO IN 160 T	OW 830 2	190	343,4	40	170	294,3	42	97	220-240V 50Hz	50	2,7
DIVERSO IN 240 T	OW 833 6	270	441,5	43	240	421,8	47	97	220-240V 50Hz	80	2,9
DIVERSO IN 80 HT	OW 828 6	90	166,8	38	80	176,6	40	75,5	220-240V 50Hz	28	1,5
DIVERSO IN 160 HT	OW 831 0	190	343,4	40	170	294,3	42	97	220-240V 50Hz	50	2,7
DIVERSO IN 240 HT	OW 834 4	270	441,5	43	240	421,8	47	97	220-240V 50Hz	80	2,9

DIVERSO IN: the personalization

The built-in version to wall, ceiling, or false ceiling can be personalized in 7 different colours.



COLORS	DIVERSO IN 80	DIVERSO IN 160/240
Chrome	cod. 82674	cod. 82974
Gloss anthracite	cod. 82671	cod. 82971
Gloss black	cod. 82670	cod. 82970
Satin aluminium	cod. 82676	cod. 82976
Satin dark titanium	cod. 82672	cod. 82972
Satin light titanium	cod. 82675	cod. 82975
Satin brass	cod. 82673	cod. 82973

DIVERSO IN: Advance Preparation

It is possible to provide for future installations of DIVERSO IN, with the use of a dedicated recessed wall kit. It is available in two sizes (for DIVERSO IN 80 and for DIVERSO IN 160/240) Included within the kit is a temporary insert so as to avoid any mortar or plaster from filling the recessing frame.



Recessed wall kit

PRODUCT	DIVERSO IN 80	DIVERSO IN 160/240
Recessed wall kit	cod. 82610	cod. 82910

