



STANDARD AXIAL FANS EB





STANDARD AXIAL FANS

EB

- Axial fans for wall or panel mounting to convey air and fumes directly outside or through short ducts.
- Temperature 55 °C.
- Also suitable for application on machines where a forced ventilation or air suction is required.
- Safety protection grille.
- Body and grille in steel protected by an epoxy-based anticorrosive paint.
- Impeller in ABS material.
- Induction motor, class F, IP 44 protected.
- **Model EB 504**, IP54 protected.
- In accordance with the essential requirements of 89/392/CE directive concerning machines, and with European Standards EN 292 part I and II, UNI EN 294 and IEC 204-1 and 2.
- Industrial regulators available (see page 88).

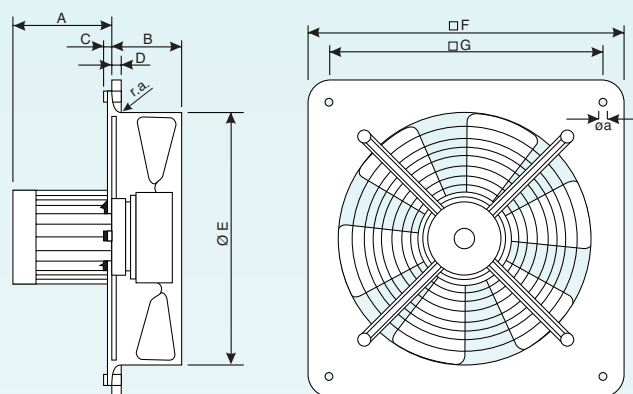
Reversibili:

- Single-phase: only model EB 504 M.
- Three-phase: all the models.

Accessories:

- See page 113

Dimensions



Model	A	B	C	D	ø E	□ F	□ G	r.a.	ø a	Kg
EB 25 4M	96	70	9	8	260	340	290	12	7	3,4
EB 30 4M	111	70	9	10	312	390	340	15	9	4,5
EB 35 4M	98	90	10	12	365	460	410	15	9	5,2
EB 40 4M	108	90	10	12	415	510	460	15	9	6,4
EB 50 4M	145	90	10	15	515	630	580	15	11	8,5
EB 25 4T	125	70	9	8	260	340	290	15	11	4,0
EB 30 4T	125	70	9	10	312	390	340	15	7	4,6
EB 35 4T	125	90	10	12	365	460	410	15	9	5,5
EB 40 4T	125	90	10	12	415	510	460	15	9	6,0
EB 50 4T	145	90	10	15	515	630	580	15	11	8,4

Technical Data

Model	Ref.	Motor protection	Motor	Flow rate m ³ /h	Max press. mm H ₂ O	N° Poles	W	Hz	Nominal curr. A.		dB (A) 2m	RPM
									at 230V	at 400V		
EB 25 4M	OW 450 9	IP44	single-phase	900	10	4	85	50	0,57	-	55	1300
EB 30 4M	OW 451 7	IP44	single-phase	1500	9	4	100	50	0,79	-	59	1300
EB 35 4M	OW 452 5	IP44	single-phase	2250	10	4	120	50	0,49	-	63	1300
EB 40 4M	OW 453 3	IP44	single-phase	2900	9	4	145	50	0,63	-	66	1260
EB 50 4M	OW 455 8	IP54	single-phase	4500	14	4	260	50	1,40	-	72	1300
EB 25 4T	OW 496 2	IP44	three-phase	900	10	4	45	50	0,20	0,12	55	1300
EB 30 4T	OW 497 0	IP44	three-phase	1500	9	4	60	50	0,24	0,14	59	1300
EB 35 4T	OW 498 8	IP44	three-phase	2250	10	4	95	50	0,39	0,23	63	1300
EB 40 4T	OW 499 6	IP44	three-phase	2900	9	4	130	50	0,47	0,27	66	1280
EB 50 4T	OW 456 6	IP54	three-phase	4500	14	4	230	50	1,00	0,57	72	1300