



SELV 12V *in* SERIES FANS

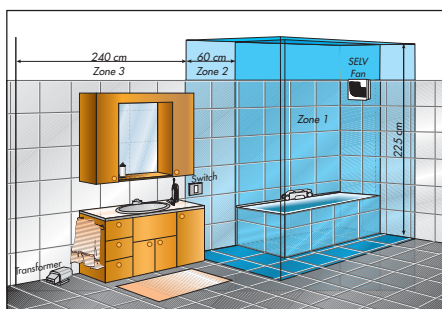
- This is the SELV (Safety Extra Low Voltage) version working at 12V AC. of the axial fan model IN 10/4, designed to convey air and fumes directly outside.

- This fan can be installed within the safety zones 1 and 2, as defined by the norm IEC 364-7 part 7, where the risk related to electrical connections is very high.

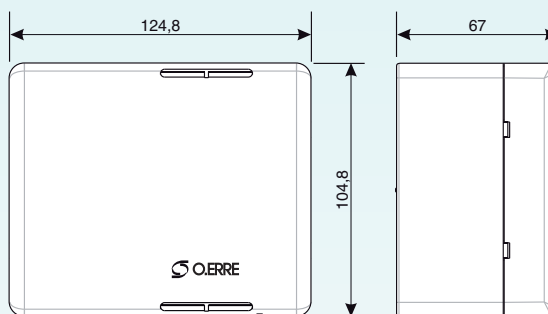
- The very low power voltage of the IN 10/4 SELV, in combination of a dedicated transformer supplied with the fan, permits the installation even in proximity of the bath tub or the shower, because the eventual direct contact with the fan does not pose any threat of electrical danger.

The supply unit must be installed within zone 3.

Please refer to page 45 for a detailed explanation of the meaning of the different safety zones.



Transformer dimensions



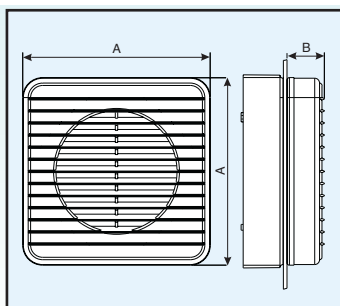
4 different versions available:

- 1) **Basic:** fan + supply unit.
- 2) **Pull Cord:** fan + supply unit equipped with a pull cord for ON/OFF operation.
- 3) **Timer:** fan + supply unit equipped with electronic control to change the delay before turning off the fan (delay adjustable from 2 to 30 minutes).
- 4) **HT:** fan + supply unit equipped with electronic control to turn ON/OFF the fan automatically depending on the level of ambient relative humidity, with adjustable delay before turn off.

Technical Data

Model	Rif.	Flow Rate m ³ /h	W	Nominal voltage and frequency	Max.Press. mm H ₂ O	dB (A) 3m	Weight Kg
IN 10/4 SELV 12 V	OW 557 1	105	15	220-240 V 50Hz	2,8	35,6	0,5
IN 10/4 SELV 12 V Pull Cord	OW 560 5	105	15	220-240 V 50Hz	2,8	35,6	0,5
IN 10/4 SELV 12 V Timer	OW 558 9	105	15	220-240 V 50Hz	2,8	35,6	0,5
IN 10/4 SELV 12 V HT	OW 559 7	105	15	220-240 V 50Hz	2,8	35,6	0,5

Accessories IN series



Window kit

Kit accessory for window and panel application.
Window Kit is suitable for installation in a single, double glazing window glass or wood panel, from 3 to a thickness of 20 mm.

Model	Ref.	A	B	hole diameter
Kit Finestra 10/4	OW 591 0	155	31	132,5÷145
Kit Finestra 12/5	OW 592 8	175	31	152,5÷165
Kit Finestra 15/6	OW 593 6	211	31	186÷195

• Gravity Shutter • Grille • Electronic Controller: See page 109.