



AXIAL FANS WITH AUTOMATIC SHUTTER - IPX4 STANDARDMATIC & MINIMATIC





AXIAL FANS WITH AUTOMATIC SHUTTER - IPX4 STANDARDMATIC & MINIMATIC

- Axial fans to extract air and fumes directly outside with automatic opening of shutter.
- Can be wall, ceiling and panel mounted.
- In accordance with EN 60335-2-80.
- Grille made in shining ABS material.
- IPX4 protected for areas with high humidity.

• **Standardmatic T and Minimatic T**, with electronic timer adjustable from 2 to 20 minutes approx.

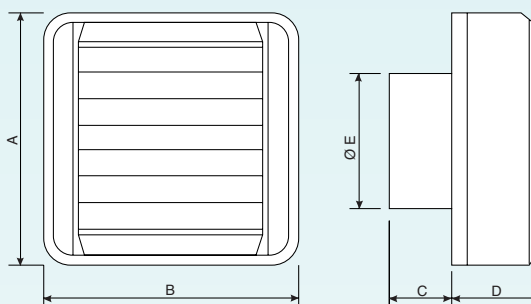
• All **Standardmatic and Minimatic 10 and 12** have threaded spigots to allow panel mounting by locking ring.

• **Minimatic range**, motor with ball bearings.



Low motion and noiseless opening of shutter.

Dimensions



CE
IPX4



Model	A	B	C	D	E
Standardmatic - Minimatic 10/10T	154	154	45	51	∅ 98
Standardmatic - Minimatic 12/12T	174	174	45	51	∅ 118
Standardmatic - Minimatic 15/15T	210	210	62	54	∅ 146



Window kit including fixing screws for installation on window (5 mm).

Model	Ref.	hole diameter mm
Window kit 10	OW 874 0	135÷145
Window kit 12	OW 875 7	155÷165
Window kit 15	OW 876 5	186÷195

Technical Data

Model	Ref.	Hole diameter mm	Flow rare m ³ /h	W	Nominal voltage and frequency	Max pressure mm H ₂ O	dB (A) 3 m	Weight kg
MINIMATIC 10	OW 185 1	100	90	14	220-240V 50Hz	3	38	0,7
MINIMATIC 10T	OW 186 9	100	90	14	220-240V 50Hz	3	38	0,7
MINIMATIC 12	OW 187 7	120	130	21	220-240V 50Hz	4	39	0,85
MINIMATIC 12T	OW 189 3	120	130	21	220-240V 50Hz	4	39	0,85
MINIMATIC 15	OW 845 0	150	230	45	220-240V 50Hz	4,2	44	1,2
MINIMATIC 15T	OW 846 8	150	230	45	220-240V 50Hz	4,2	44	1,2
STANDARDMATIC 10	OW 166 1	100	90	21	220-240V 50Hz	2,5	38	0,7
STANDARDMATIC 10T	OW 167 9	100	90	21	220-240V 50Hz	2,5	38	0,7
STANDARDMATIC 12	OW 168 7	120	130	23	220-240V 50Hz	4,2	39	0,85
STANDARDMATIC 12T	OW 169 5	120	130	23	220-240V 50Hz	4,2	39	0,85
STANDARDMATIC 15	OW 170 3	150	230	36	220-240V 50Hz	4,2	44	1,2
STANDARDMATIC 15T	OW 171 1	150	230	36	220-240V 50Hz	4,2	44	1,2