



# IN-LINE AXIAL DUCT FANS - IPX4 TB





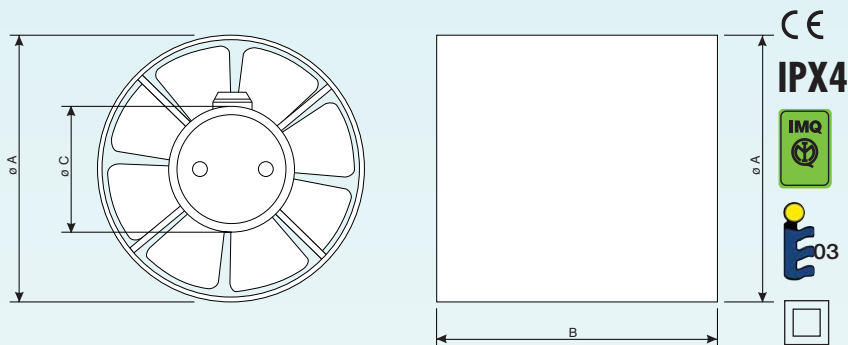
# IN-LINE AXIAL DUCT FANS - IPX4 TB

- In-line axial fans for installation into ducting with diameter 10, 12 and 15 cm.
- Can be used to extract air, to intake air or as a booster to increase airflow in an existing installation.
- Body in thermoplastic material.
- Impeller in polypropylene.
- Induction motor. Impedance protection on models TB 10 and TB 12, thermal protection on model TB 15.
- Protected against water splashes, IPX4.
- Low consumption and noise makes the fan suitable for any use.
- In accordance with EN 60335-2-80.

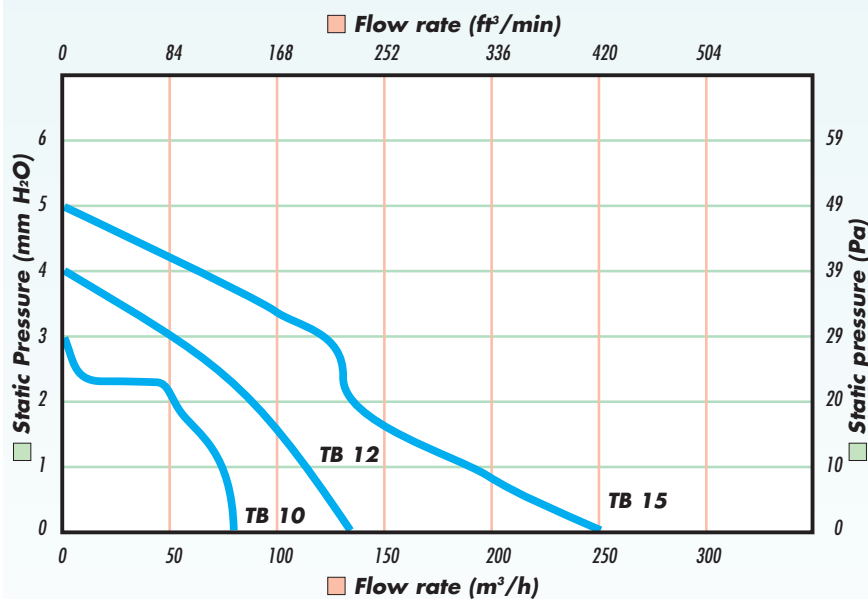
#### Accessories:

- See page 110 and 111

### Dimensions



Model	ø A	B	ø C
<b>TB 10</b>	96	97	55
<b>TB 12</b>	116	97	55
<b>TB 15</b>	147	113	55



### Technical Data

Model	Ref.	Tube diameter ø mm	Flow rate m <sup>3</sup> /h	Max Press. mm. H <sub>2</sub> O	W	Nominal voltage and frequency	Nom. curr. Amp. at 230V	dB (A) 2 m	RPM	Weight kg
<b>TB 10</b>	OW 184 4	100	80	3	15	220-240V 50Hz	0,09	42	2500	0,5
<b>TB 12</b>	OW 194 3	120	130	3,5	15	220-240V 50Hz	0,1	43	2200	0,6
<b>TB 15</b>	OW 195 0	150	250	5,5	25	220-240V 50Hz	0,2	50	2400	0,7